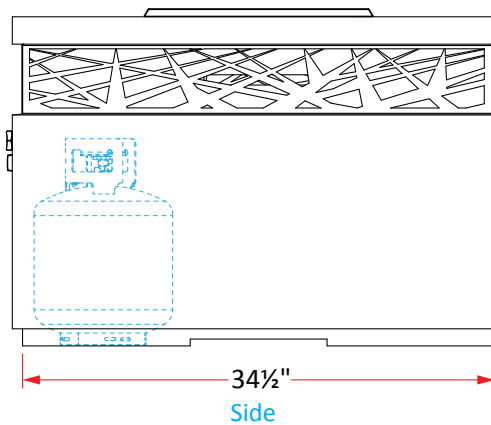
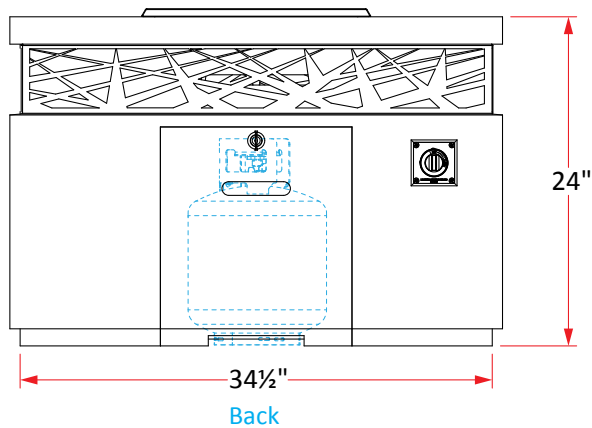
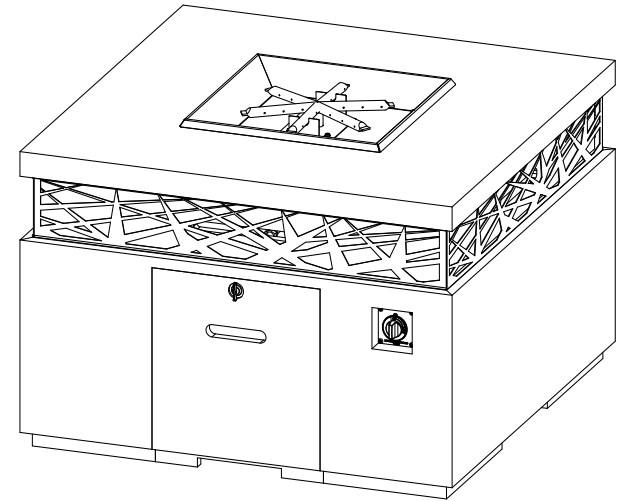
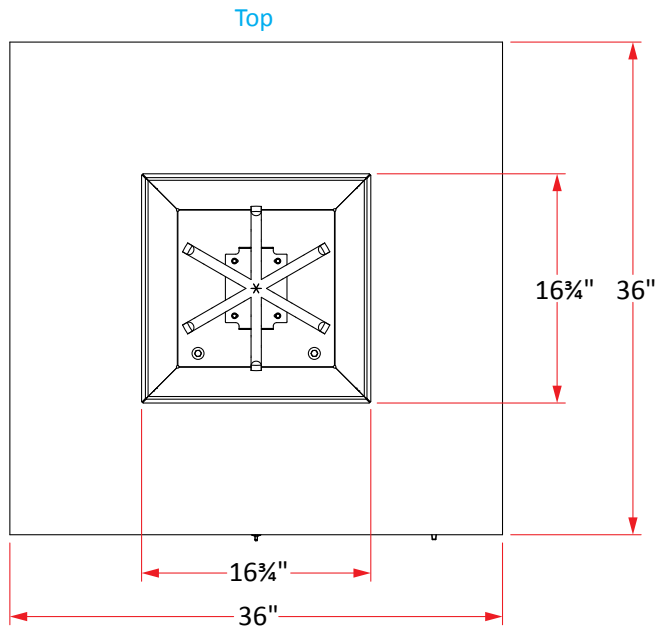


# Nest Square Firetable

Model #: 711-xx-11-V2xC



**AMERICAN**  
**FYRE DESIGNS™**  
outdoor Products Collection

## Nest Square Firetable

Dimensions:	36" w x 36" d x 24" h
Weight:	290 lbs
BTU's:	60,000 (NG)/50,000 (LP)

*Accepts a 5 gal. Propane tank inside the unit (not included).*