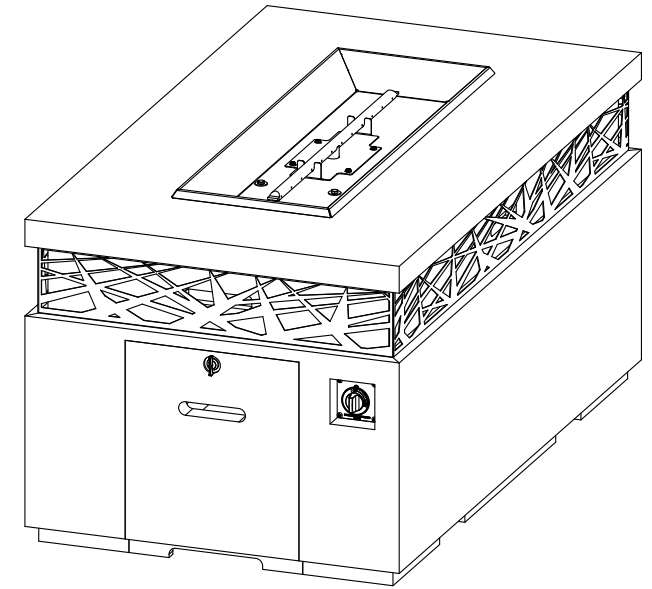
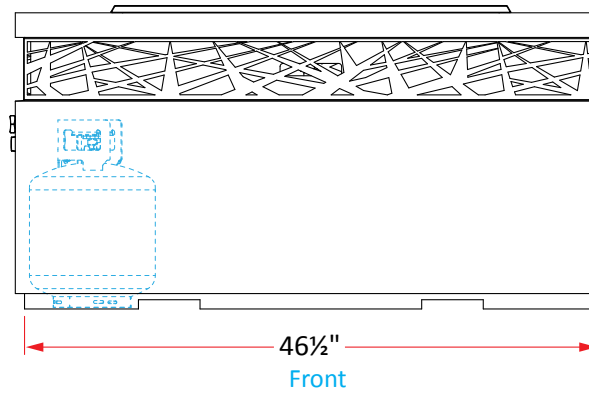
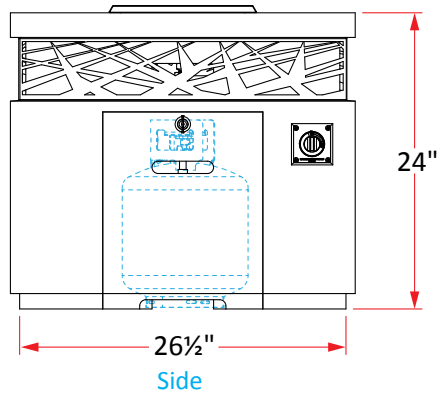
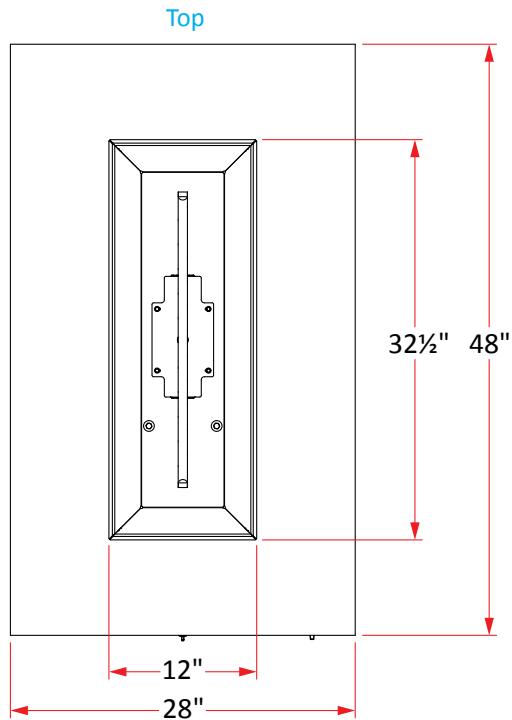


Nest Rectangle Firetable

Model #: 712-xx-11-V4xC



AMERICAN
FYRE DESIGNS™
outdoor Products Collection

Nest Rectangle Firetable

Dimensions:	48" w x 28" d x 24" h
Weight:	310 lbs
BTU's:	60,000 (NG) / 50,000 (LP)

Accepts a 5 gal. Propane tank inside the unit (not included).